

## Auxiliary Products

Products included:

- T-10 Timers
- CP-5 Single-phase Current Monitors
- Current Transformers (donut style & foot mounted)
- NEMA-3R Enclosures
- Steel Enclosure for RM-1000
- Electronic Megohmmeter
- Informer Infrared Kit
- OL-RESET
- Manual Remote Reset Kit
- Octal Sockets



Auxiliary Products

*on-delay timer, 115, 230 or 460V control power, 6 seconds to 10 minutes adjustable, LED indicator*



### The Model T-10-(xxx)


on-delay timer is a solid-state electronic device that provides accurate and reliable timing for control circuits up to 460VAC. The T-10 features a user-selectable time delay from 6 seconds to 10 minutes (0.5 to 12 seconds on the T10S-400 model) and SPDT output contacts. When power is applied to the T-10, it immediately begins its timing cycle. During this time, the indicator LED alternates between red and green and the output contacts remain inactive. When the timing cycle is complete, the indicator LED turns solid green and the output contacts are activated. The output contacts will remain activated until power is removed from the T-10.

The SPDT contact ratings are 480V @ 240VAC on the 115V and 230V models and 470VA @ 600VAC on the 460V model.

For more information see:  
See Appendix A, page 68, Figure 7 for dimensional drawing.  
See Appendix B, page 81, Figure 51 for typical wiring diagrams.

### Features:

- Status LED
- 600V control relay on 460V models

Approvals: 

### Available Models:

- T10-100 (115V)
- T10-200 (230V)
- T10-400 (460V)
- T10S-400 (460V)

## Specifications

<b>Input Characteristics</b>	
Line voltage	
T10-100.....	115VAC
T10-200.....	230VAC
T10-400, T10S-400.....	460VAC
Frequency.....	.50*/60Hz
<b>Functional Characteristics</b>	
Timing Range	
T10-100, T10-200, T10-400.....	.6 seconds to 10 minutes
T10S-400.....	.0.5 seconds to 12 seconds
Repeat Accuracy	
Fixed Condition.....	±1%
<b>Output Characteristics</b>	
Output Contact Rating (SPDT)	
Pilot Duty	
T10-100, T10-200.....	.480VA @ 240VAC
T10-400, T10S-400.....	.470VA @ 600VAC
<b>General Characteristics</b>	
Maximum Input Power.....	.5 W
Terminal	
Torque.....	.7 in.-lbs.
Wire Size.....	.12-18AWG
Safety Marks	
UL.....	.UL508 (File #E68520)
Dimensions.....	.2.93"H x 5.27"W x 2.95"D (74.4 x 133.9 x 74.9mm)
Weight.....	.0.94 lb. (15.04 oz., 426.38 g)
Mounting Method.....	.#8 screws

\*Note: 50Hz will increase all delay timers by 20%.

# Single-Phase Current Monitor

# Model CP-5

single-phase current monitor, adjustable trip delay, adjustable trip level, trips on undercurrent



## The Model CP-5

is an undercurrent monitor designed to monitor one leg of a 3-phase system. It is commonly used as a tower monitor on center pivot irrigation systems to detect stalled or jammed towers to prevent overwatering.

The CP-5 has both an adjustable trip level and an adjustable trip delay timer. When the current is sensed, the Model CP-5 activates its output relay, thus starting the motor/pump. When the current in the monitored power line falls below the user-selectable trip point, the unit goes through a trip delay timer and then deactivates the output relay if the monitored current does not recover first.


For more information see:

See Appendix A, page 68, Figure 7 for dimensional drawing.

See Appendix B, page 81, Figure 52 for typical wiring diagrams.

## Features:

- Ideal as a tower monitor on center pivot irrigation systems
- Adjustable trip level
- Adjustable trip delay

Approvals: 

## Available Models:

CP-5-115  
CP-5-460

## Specifications

### Input Characteristics

Nominal Input Voltage

CP-5-115 .....115VAC

CP-5-460 .....460VAC

Frequency .....50\*/60Hz

### Functional Characteristics

#### Operating Points

Trip Level .....0-5 Amps

Trip Delay .....0-10 minutes

Restart .....1 second

#### Output Characteristics

Output Contact Rating (SPDT)

Pilot Duty

CP-5-115 .....480VA @ 240VAC

CP5-460 .....470VA @ 600VAC

### General Characteristics

Terminal

Torque .....7 in.-lbs.

Wire Size .....12-18AWG

Safety Marks

UL .....UL508 (File #E68520)

Dimensions .....2.93"H x 5.27"W x 2.95"D  
(74.4 x 133.9 x 74.9mm)

Weight .....1 lb. (16 oz., 453.59 g)

Mounting Method .....#8 screws

\*Note: 50Hz will increase all delay timers by 20%

# Current Transformers

*instrumentation and metering transformers, choice of donut or foot mounted and 1 - 3" diameter opening*



## Current Transformers

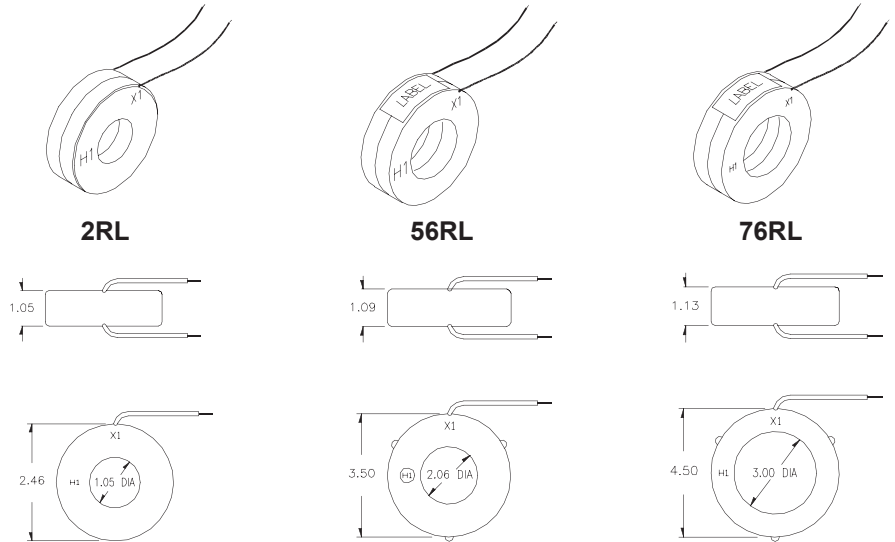
SymCom offers a wide array of instrument rated current transformers.

Voltage class: 600V

BIL rating: 10kV

### Available Models:

- CT-0050-D-10
- CT-0075-D-10
- CT-0100-D-10
- CT-0150-D-10
- CT-0200-D-10
- CT-0300-D-10
- CT-0200-D-20
- CT-0300-D-20
- CT-0400-D-20
- CT-0500-D-20



### PART NUMBERS:

CT-xxx (xxx:5 current ratio)

-D/F (D=Donut Style, F=Footed Style)

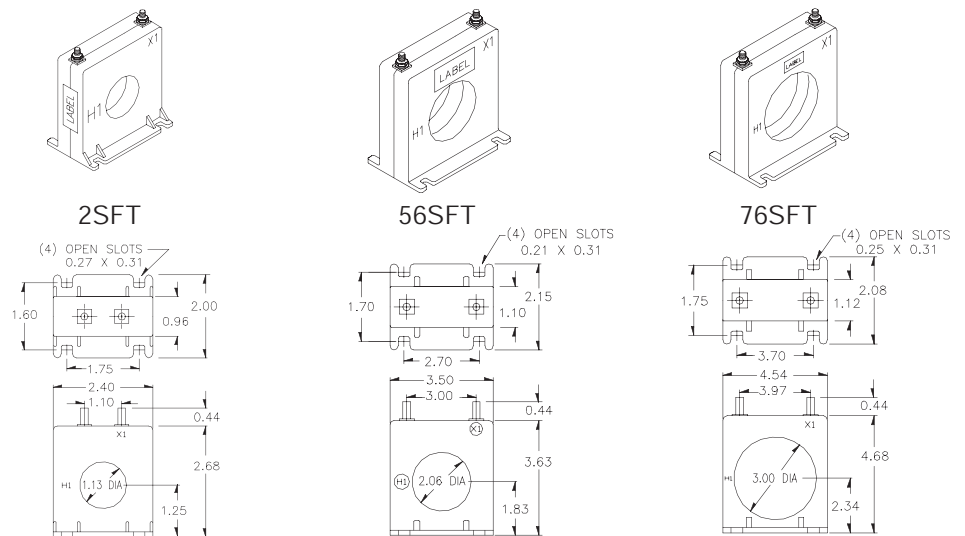
-10/15/20/30 (10=1.0" window; 15=1.5" window; 20=2.0" window; 30=3.0" window)



### Available Models:

- CT-0050-F-10
- CT-0100-F-10
- CT-0150-F-10
- CT-0200-F-10
- CT-0300-F-10
- CT-1200-F15
- CT-0150-F-20
- CT-0200-F-20
- CT-0300-F-20
- CT-0400-F-20
- CT-0600-F-20
- CT-0400-F-30
- CT-0800-F-30

### BRASS TERMINALS WITH MOUNTING FEET



# Auxiliary Products

enhanced ground fault protection, enclosures, diagnostic tool, enhancements/accessories for multiple SymCom products



### Enclosure

Metal NEMA-3R electrical box (6" H x 6" W x 4" D) with lenses for viewing the single-phase PumpSaver® status lights

Part Number: NEMA-3R-L

### The RM-1000-ENCL

is a steel enclosure for protecting a SymCom RM-1000 remote communications monitor from adverse affects of weather and vandalism, while allowing normal communications connections to the RM-1000 unit. Its superior design protects an RM-1000 from overexposure to UV sunlight as well as from hail during a storm, and it incorporates a seal around the opening in the back to seal the unit to the electrical box, keeping rain from contacting the RM-1000 connections. The enclosure also features a built-in padlock tab (padlock not included) to lock the cover to deter vandalism. (6.4" H x 6.3" W x 1.7" D)

Part Number: RM-1000-ENCL



### Electronic Megohmmeter

The Model M-500 is an automatic, portable, battery-powered insulation tester. This unit is specifically designed as an inexpensive alternative to costly swing needle megohmmeters. The M-500 measures insulation resistance values of motors, generators and transformers up to 1000 megohms at 500VAC, indicating the condition of insulation on the zone scale. Its compact design and ease of use makes the M-500 a great diagnostic tool for motor rewind shops, electrical maintenance personnel and pump installers.

Part Number: M-500

### Informer IR Kit

can be used with the MotorSaver® Model 455 and PumpSaver® Models 111-Insider-P and 231-Insider-P. It simply attaches to the face of the unit to provide remote diagnostics without opening the panel.

Part Number: IR Kit-36 (36" long)



### The OL-RESET

allows the 777 line of MotorSaver® and PumpSaver® products to be manually reset without opening the panel door. Simply connect the module to the 777 communication port, connect a wire to each of the two applicable pins on the OL-RESET and to a normally-open push-button switch (sold separately). Mount the push-button switch in a convenient location.

Part Number: OL-RESET

### 777 Manual Remote Reset Kit (24" long)

allows the 777 line of MotorSaver® and PumpSaver® products to be manually reset without opening the panel door. Simply connect the 9-pin adapter to the 777 communication port and mount the push-button switch in a convenient location.

Part Number: 777-MRSW



OT08-PC

RB08-PC



### Octal Sockets

for plug-in units.

Part Numbers: OT08-PC (8-pin surface & DIN rail mountable)  
RB08-PC (8-pin surface mountable)  
OT11-PC (11-pin surface & DIN rail mountable)  
SD12-PC (12-pin surface mountable)