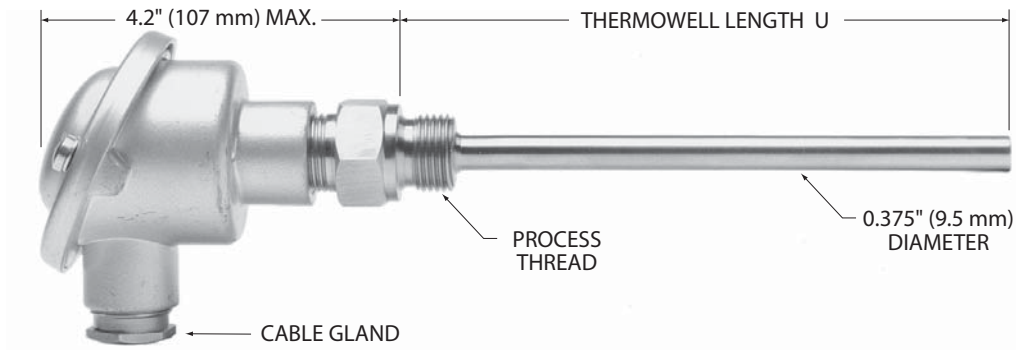


# Eurostyle Sensors



## Overview

These low priced assemblies come complete with thermowells, spring-loaded probes, and connection heads. They provide accurate sensing and quick response in liquid or air streams. Specify U.S. or metric thread for global compatibility.

- Compact, economical RTD or thermocouple assembly
- Metric straight thread or U.S. tapered thread
- Tip-sensitive probe for use to 260°C (500°F)
- Optional European Form B connection head to DIN 43729
- Stainless steel thermowell

## Temperature Transmitters

Minco's Temptran™ RTD transmitters provide a 4 to 20 mA signal or HART® Protocol that can be sent over long distances with a simple 2-wire system. See Section 4 for complete temperature transmitter specifications.

**Special high-accuracy calibration:** For high system accuracy, specify transmitters with matched calibration. Calibration data traceable to NIST will also be provided. Get more information on page 4-22.

## Specifications

**Temperature range:** -50 to 260°C (-58 to 500°F).

### Material:

Probe: Stainless steel with copper alloy tip.

Connection head: Cast aluminum.

Thermowell: 300 series stainless steel.

**Pressure rating:** 2755 psi (190 bar) at 25°C, reducing to 493 psi (34 bar) at 600°C.

**Insulation resistance:** 10 megohms min. at 100 VDC, leads to case. Ungrounded junctions only on thermocouples.

**Connection:** Terminal block for wires to 14 AWG.

**Time constant:** Typical in moving water:

RTD: 35 seconds.

Thermocouple: 27 seconds.

▼ = STANDARD OPTIONS

Specifications subject to change

## Sensing elements

RTD sensing element		Code
Platinum (0.00392 TCR)	100 $\Omega$ $\pm$ 0.5% at 0°C	PA
Platinum (0.00385 TCR) (Meets EN60751, Class B)	100 $\Omega$ $\pm$ 0.1% at 0°C	PD
Platinum (0.00385 TCR)	100 $\Omega$ $\pm$ 0.5% at 0°C	PE
Copper (dual) (0.00427 TCR)	10 $\Omega$ $\pm$ 0.2% at 25°C 10 $\Omega$ $\pm$ 0.5% at 25°C	CA CC
Nickel (0.00672 TCR)	120 $\Omega$ $\pm$ 0.5% at 0°C	NA

## RTD specification and order options

AS5240	Assembly number: AS5240: Single element RTD AS5241: Dual element RTD
PD	Sensing element from table
40	TW length U in 0.1" increments [Ex: 40 = 4.0 inches (102 mm)]
Z	Leads per sensing element: Y = 2 leads Z = 3 leads (required for CA/CC) X = 4 leads (single element only)
2	Conduit thread: 1 = 1/2 - 14 NPT 2 = 3/4 - 14 NPT 3 = PG cable gland (Eurostyle only)
A	Connection head: A = Standard aluminum head E = Eurostyle aluminum head
1	TW process thread: 1 = 1/2 - 14 NPT 2 = 3/4 - 14 NPT 3 = ISO 228/1 - G 1/2
To order sensor assembly, stop here. To order with transmitters, add:	
TT520	Temptran™ model: TT520: Programmable (2, 3, & 4-lead RTDs) TT521: HART® Programmable (2, 3, & 4-lead RTDs)
A	Temperature range codes starting on page 4-20 or at <a href="http://www.minco.com">www.minco.com</a>
1	Calibration: 1 = Nominal calibration 2 = Match calibrated, 0.75% total system accuracy. For other calibration options, contact Minco
AS5240PD40Z2A1TT520A1 = Sample part number	

## Thermocouple specification and order options

AS5245	Assembly number: AS5245: Single junction TC AS5246: Dual junction TC
E	Junction type: E = Chromel-Constantan J = Iron-Constantan K = Chromel-Alumel T = Copper-Constantan
G	Junction grounding: G = Grounded U = Ungrounded
135	TW length U in 0.1" increments Specify in 0.1" increments [Ex: 135 = 13.5 inches (343 mm)]
P	
3	Conduit thread: 1 = 1/2 - 14 NPT 2 = 3/4 - 14 NPT 3 = PG cable gland (Eurostyle only)
E	Connection head: A = Standard aluminum head E = Eurostyle aluminum head
3	TW process thread: 1 = 1/2 - 14 NPT 2 = 3/4 - 14 NPT 3 = ISO 228/1 - G 1/2
To order sensor assembly, stop here. To order with transmitters, add:	
TT520	Temptran™ model: 520 = TT520: Programmable, Hockey Puck 521 = TT521: HART® Programmable, Hockey Puck
A	Temperature range codes starting on page 4-20 or at <a href="http://www.minco.com">www.minco.com</a>
AS5245EG135P3E3520A = Sample part number	

▼ = STANDARD OPTIONS  
Specifications subject to change