

# ZF3 SSR SERIES

## POWER CONTROLS

The ZF3 SCR Series are three-phase (3 or 4 wire), zero-fired SCR Power Controls designed to deliver maximum power control with all of the features normally found in much larger units. Utilizing only two frame sizes, these units are conservatively engineered for years of trouble free service while providing the benefits of precise, reliable control of for your electronic process.

The ZF3 SSR Series accepts all standard voltage and current command signals or remote potentiometer input. Standard operating voltages are 120, 240, 400, 480 & 575 Vac, 3 Phase, 50/60Hz. Other voltages are available.

Multi-turn Zero and Span adjustments are provided for matching the SCR power control to the command signal. The command signal indicator's (green) flash rate is proportional to the output voltage.

### Applications:

Primarily used to control static resistive or non-inductive 3 or 4 wire loads.

- Small electric furnaces
- Electric ovens, kilns & heaters
- Extrusion or injection molding

**15-70 Amperes**  
**Three-phase (3 or 4 Wire)**  
**Zero-fired**



- 5 year "No Hassle" warranty
- Electrically Isolated Heatsink
- Conservative Thermal Design
- Voltage Squared Linearity
- Transient voltage Protection (MOV)
- Soft Start
- Command Signal Indicator
- Multi-Turn Zero & Span Adjustments
- UL, cUL Listed, CE Compliant



**100kA**  
**SCCR**



**ISO**  
**9001**  
 QUALITY  
 ASSURANCE

**AMETEK®**  
**HDR POWER SYSTEMS**

530 Lakeview Plaza Blvd Ste C  
 Worthington, Ohio 43085  
 Toll Free: 1-888-PWR-CNTR (797-2685)  
 Phone: 614-308-5500  
 Fax: 614-308-5506  
[www.hdrpower.com](http://www.hdrpower.com)

# SPECIFICATIONS:

**Control Method:** Zero-firing of back-to-back SCRs (3-leg Control)

**Voltage Rating:** 120, 240, 400, 480, 575 Vac

**Line Frequency:** 50 / 60 Hz

**Current Ratings:** 15, 25, 40, 70 Amperes

**Command Signal:** Most standard process signals

**Adjustments:** Zero and Span, multi-turn

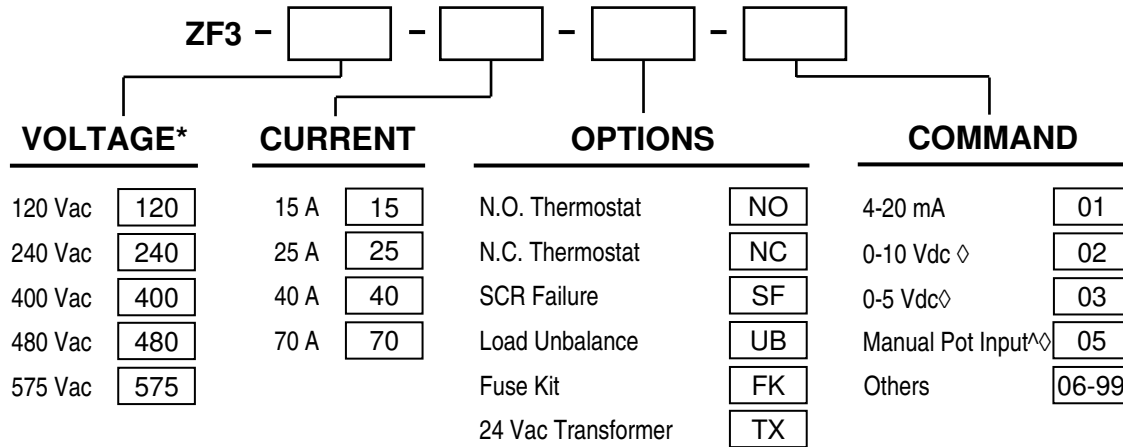
**Isolation:** 2500 volts rms from power circuit to command signal and to ground

**Ambient Temperature:** Operating: 0 °C to 50 °C

**Relative humidity:** 0 to 95% (non-condensing)

# HOW TO ORDER:

Make a selection from each of the tables below. Place the selection in the corresponding boxes to build your model.



\* Other voltages available

Multiple options may be selected

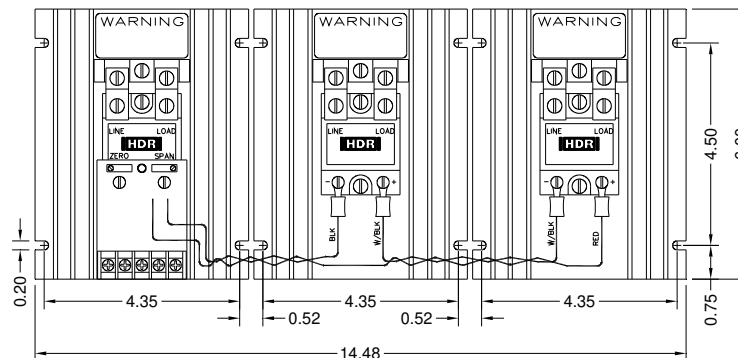
◊ Requires external potentiometer (5 kΩ)

◊ Requires 24 Vac Transformer

# OUTLINES:

## 15 thru 40 A

Depth: 3.01 in  
Weight: 3.6 lbs



## 70 A

Depth: 5 in  
Weight: 9 lbs

